



Operating Instructions  
**thermoMETER CS**

**Infrared sensor**

**MICRO-EPSILON  
MESSTECHNIK  
GmbH & Co. KG  
Koenigbacher Str. 15**

94496 Ortenburg / Germany

Tel. +49 (0) 8542 / 168-0  
Fax +49 (0) 8542 / 168-90  
e-mail [info@micro-epsilon.com](mailto:info@micro-epsilon.com)  
[www.micro-epsilon.com](http://www.micro-epsilon.com)

---

# Contents

<b>1.</b>	<b>Safety</b> .....	<b>5</b>
1.1	Symbols Used.....	5
1.2	Warnings.....	5
1.3	Notes on CE Marking.....	6
1.4	Intended Use.....	6
1.5	Proper Environment.....	7
<b>2.</b>	<b>Technical Data</b> .....	<b>8</b>
2.1	Functional Principle.....	8
2.2	General Specifications.....	8
2.3	Electrical Specifications.....	9
2.4	Measurement Specifications.....	11
<b>3.</b>	<b>Delivery</b> .....	<b>12</b>
3.1	Unpacking, Included in Delivery.....	12
3.2	Storage.....	12
<b>4.</b>	<b>Optical Charts</b> .....	<b>13</b>
<b>5.</b>	<b>LED Functions</b> .....	<b>14</b>
5.1	Automatic Aiming Support.....	14
5.2	Self Diagnostic.....	15
5.3	Temperature Code Indication.....	16
<b>6.</b>	<b>Installation</b> .....	<b>17</b>
6.1	Mechanical Installation.....	17
6.2	Electrical Installation.....	18
6.2.1	Analog Device (mV Output on OUT Pin).....	18
6.2.2	Analog Device (Thermocouple Type K Output on OUT t/c K Pins / only at Model CSTK-SF15).....	19
6.2.3	Digital Communication.....	20
6.2.4	Open Collector Output.....	21
6.2.5	Direct Connection to an RS232 Interface on the Computer.....	21
<b>7.</b>	<b>Instructions for Operation</b> .....	<b>21</b>
7.1	Cleaning.....	21
<b>8.</b>	<b>Schematic Circuit Diagrams for Maintenance Applications</b> .....	<b>22</b>

<b>9.</b>	<b>CompactConnect Software</b> .....	<b>24</b>
9.1	Installation .....	24
9.2	Uninstallation.....	24
9.3	Minimum System Requirements.....	24
9.4	Main Features.....	25
9.5	Communication Settings .....	25
<b>10.</b>	<b>Digital Command Set</b> .....	<b>26</b>
<b>11.</b>	<b>Basics of Infrared Thermometry</b> .....	<b>28</b>
<b>12.</b>	<b>Emissivity</b> .....	<b>29</b>
12.1	Definition .....	29
12.2	Determination of Unknown Emissivities .....	29
12.3	Characteristic Emissivities .....	30
<b>13.</b>	<b>Liability for Material Defects</b> .....	<b>30</b>
<b>14.</b>	<b>Service, Repair</b> .....	<b>31</b>
<b>15.</b>	<b>Decommissioning, Disposal</b> .....	<b>31</b>
<b>Appendix</b>		
<b>A 1</b>	<b>Optional Accessories</b> .....	<b>32</b>
A 1.1	Mounting Accessories .....	32
A 1.2	Close Focus Optics.....	33
A 1.3	Air Purge Collars .....	34
A 1.4	Further Accessories .....	35
<b>A 2</b>	<b>Factory Settings</b> .....	<b>36</b>
<b>A 3</b>	<b>Emissivity Table Metals</b> .....	<b>38</b>
<b>A 4</b>	<b>Emissivity Table Non Metals</b> .....	<b>39</b>
<b>A 5</b>	<b>Direct Connection to an RS232 Interface on the PC</b> .....	<b>40</b>
<b>A 6</b>	<b>Smart Averaging</b> .....	<b>42</b>

## 1. Safety

System operation assumes knowledge of the operating instructions.

### 1.1 Symbols Used

The following symbols are used in these operating instructions:



Indicates a hazardous situation which, if not avoided, may result in minor or moderate injury.



Indicates a situation that may result in property damage if not avoided.



Indicates a user action.



Indicates a tip for users.

Measure

Indicates hardware or software button/menu.

### 1.2 Warnings



Connect the power supply and the display/output device according to the safety regulations for electrical equipment.

> Risk of injury

> Damage to or destruction of the sensor



Avoid shocks and impacts to the sensor.

> Damage to or destruction of the sensor

The supply voltage must not exceed the specified limits.

> Damage to or destruction of the sensor

Protect the sensor cable against damage.

> Destruction of the sensor, failure of the measuring device

Do not kink the sensor cable and bend the sensor cable in tight radius. The minimum bending radius is 14 mm (static). A dynamic movement is not allowed.

> Damage to the sensor cable, failure of the measuring device

No solvent-based cleaning agents may have an effect on the sensor (neither for the optics nor the housing)

> Damage to or destruction of the sensor

### 1.3 Notes on CE Marking

The following apply to the thermoMETER CS:

- EU Directive 2014/30/EU
- EU Directive 2011/65/EU

Products which carry the CE mark satisfy the requirements of the EU directives cited and the relevant applicable harmonized European standards (EN). The measuring system is designed for use in industrial and laboratory applications.

The EU Declaration of Conformity is available to the responsible authorities according to EU Directive, article 10.

### 1.4 Intended Use

- The thermoMETER CS is designed for use in industrial and laboratory areas. It is used for non-contact temperature measurement.
- The system must only be operated within the limits specified in the technical data, [see 2.4](#).
- The system must be used in such a way that no persons are endangered or machines and other material goods are damaged in the event of malfunction or total failure of the system.
- Take additional precautions for safety and damage prevention in case of safety-related applications.

## 1.5 Proper Environment

- Protection class: IP63
- Ambient temperature: -20 ... +80 °C (-4 ... +176 °F), [see 2.2](#)

**NOTICE**

Avoid abrupt changes of the ambient temperature of both the sensor and the controller.

> Inaccurate measuring values

- Storage temperature: -40 ... +85 °C (-40 ... +185 °F)
- Humidity: 10 ... 95 %, non-condensing

## 2. Technical Data

### 2.1 Functional Principle

The sensors of the CS series are non-contact infrared temperature sensors. They calculate the surface temperature based on the emitted infrared energy of objects, [see 11](#).

The sensor housing of the CS is made of stainless steel (IP63) and contains the complete sensor electronics. The CS has a fixed mounted connection cable.

**i** The sensors CS are sensitive optical systems. Please use only the thread for mechanical installation.

#### **NOTICE**

Avoid mechanical violence on the sensor  
> Destruction of the sensor.

### 2.2 General Specifications

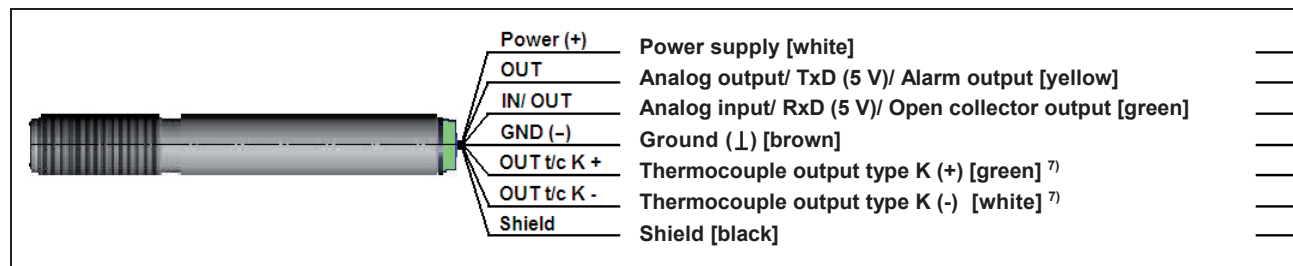
Type	thermoMETER CS
Protection class	IP63
Ambient temperature	-20 ... +80 °C (-4 ... +176 °F)
Storage temperature	-40 ... +85°C (-40 ... +185 °F)
Humidity	10 ... 95 °C, non-condensing
Material	Stainless steel
Dimensions	M12x1, 85 mm long
Weight	58 g
Cable length	1 m (standard), 3 m, 8 m, 15 m
Cable diameter	4.3 mm
Vibration	IEC 60068-2-6 (sinus shape), IEC 60068-2-64 (broad band noise)
Shock	IEC 60068-2-27 (25G and 50G)



### 2.3 Electrical Specifications

Used pin		Function	
OUT	IN/OUT		
x		Analog	0 - 5 V <sup>1</sup> or 0 - 10 V <sup>2</sup> / scalable
x		Alarm	output voltage adjustable; N/O or N/C
x		Alarm	3-state alarm output (three voltage level for no alarm, pre-alarm, alarm)
	x	Alarm	programmable open collector output [0 - 30 V DC/ 50 mA] <sup>4</sup>
	x	Temp. Code	Temp. Code Output (open collector [0 - 30 V DC/ 50 mA] <sup>4</sup> )
	x	Input	programmable functions: - external emissivity adjustment - ambient temperature compensation - triggered signal output and peak hold function <sup>5</sup>
x	x	Serial digital <sup>3</sup>	uni- (burst mode) or bidirectional
OUT t/c K		Analog	Thermocouple output type K (only at model CSTK-SF15); alternatively selectable to the mV output (software necessary)
Status LED		green LED with programmable functions: - alarm indication (threshold independent from alarm outputs) - automatic aiming support - self diagnostics - temperature code indication	

Vcc adjust mode	10 adjustable emissivity and alarm values by variation of supply voltage/ service mode for analog output
Output impedance	min. 10 kΩ load impedance
Current draw	10 mA
Power supply	5 ... 30 VDC <sup>6</sup>



1) 0 ... 4.6 V at supply voltage; also valid for alarm output

2) Only at supply voltage  $\geq 11$  V

3) Inverted RS232-Signal, TTL, 9.6 kBaud

4) Loadable up to 500 mA if the mV output is not used

5) High level:  $> 0.8$  V/ Low level:  $< 0.8$  V

6) The CS sensor may only be powered either via USB or externally, but not simultaneously!

7) Only at model CSTK-SF15/ the t/c wires are indicated with an additional cable marker to avoid wrong connections due to the identical cable colors of other wires (white, green)

## 2.4 Measurement Specifications

Model	thermoMETER CS
Temperature range	-40 ... +400 °C (scalable via software); (optional up to +1030 °C)
Spectral range	8 ... 14 μm
Optical resolution	15:1
CF-lens (optional)	0.8 mm@ 10 mm
Accuracy <sup>1 2</sup>	± 1.5 °C or ± 1.5 % of reading (whichever is greater)
Repeatability <sup>1</sup>	± 0.75 °C or ± 0.75 % of reading (whichever is greater)
Temperature coefficient <sup>3</sup>	± 0.05 K/ K or ± 0.05 %/ K (whichever is greater)
Temperature resolution (NETD) <sup>4</sup>	50 mK
Response time	14 ms (90 % signal/ adjustable up to 999 s via software)
Warm-up time	10 min
Emissivity/ Gain	0.100 ... 1.100 (adjustable via 0 - 5 VDC input or software)
Transmissivity	0.100 ... 1.000 (adjustable via software)
Interface (optional)	USB programming interface
Signal processing	Average, Peak hold, Valley hold, Advanced peak hold with threshold and hysteresis, Triggered signal output, Triggered peak hold function (adjustable via software)
Software	optional

- 1) At ambient temperature 23 ±5 °C and object temperatures > 0 °C
- 2) Accuracy for thermocouple output ±2.5 °C or ±1 %
- 3) For ambient temperatures < 18 °C and > 28 °C
- 4) At time constant of 200 ms and an object temperature of 200 °C

### 3. Delivery

#### 3.1 Unpacking, Included in Delivery

- 1 thermoMETER CS sensor
- 1 Connection cable
- 2 Mounting nuts
- 1 Assembly Instructions

- ▶ Carefully remove the components of the measurement system from the packaging and ensure that the goods are forwarded in such a way that no damage can occur.
- ▶ Check the delivery for completeness and shipping damage immediately after unpacking.
- ▶ If there is damage or parts are missing, immediately contact the manufacturer or supplier.

Optional accessories are available in the Chapters

- Mounting Accessories, [see A 1.1](#)
- CF Lens, [see A 1.2](#)
- Air Purge Collars, [see A 1.3](#)
- Further Accessories, [see A 1.4](#)

#### 3.2 Storage

- Storage temperature: -40 ... +85 °C (-40 ... +185 °F)
- Humidity: 10 ... 95 %, non-condensing

## 4. Optical Charts

The following optical charts show the diameter of the measuring spot in dependence on the distance between measuring object and sensor. The spot size refers to 90 % of the radiation energy. The distance is always measured from the front edge of the sensor housing/ CF-lens holder/ air purge.

**i** The size of the measuring object and the optical resolution of the infrared thermometer determine the maximum distance between sensor and measuring object. In order to prevent measuring errors the object should fill out the field of view of the optics completely. Consequently, the spot should at all times have at least the same size like the object or should be smaller than that.

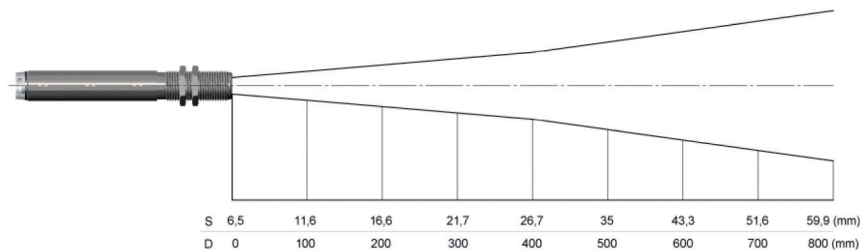


Fig. 1 Optical chart (15:1)

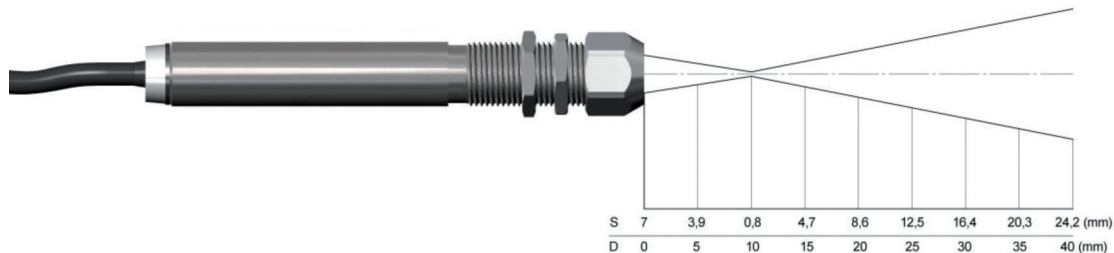


Fig. 2 Optical chart (15:1) with CF-lens (0.8 mm@ 10 mm)

## 5. LED Functions

The green LED can be programmed for the following functions. For the programming the USB adapter cable inclusive software (option) is necessary. The factory default setting for the LED is self diagnostic.

LED Alarm	LED lights up if the object temperature exceeds or deceeds an alarm threshold.
Automatic aiming support	Sighting feature for an accurate aiming of the CS to hot or cold objects
Self diagnostic	LED is indicating different states of the sensor.
Temperature Code indication	Indication of the object temperature via the LED
Off	LED deactivated

### 5.1 Automatic Aiming Support

The automatic aiming support helps to adjust the unit to an object which has a temperature different to the background. If this function is activated via software the sensor is looking for the highest object temperature; means the threshold value for activating the LED will be automatically tuned.

This works also if the sensor is aimed at a new object (with probably colder temperature). After expiration of a certain reset time (default setting: 10 s) the sensor will adjust the threshold level for activation of the LED new.

## 5.2 Self Diagnostic

With this function the current status of the sensor will be indicated by different flash modes of the LED.

<b>If activated, the LED will show one of five possible states of the sensor:</b>	
<b>Status</b>	<b>LED mode</b>
Normal	intermittent off - - - - -
Sensor overheated	fast flash - - - - -
Out of measuring range	double flash - - - - -
Not stable	intermittent on - - - - -
Alarm fault	always on —————

**i** At a supply voltage ( $V_{cc}$ )  $\geq 12$  V it takes about 5 minutes until the sensor works in a stable mode. Therefore, after switching on the unit, the LED will show a not stable state for up to 5 minutes.

- Sensor overheated: The internal temperature probes have detected an invalid high internal temperature of the CS.
- Out of meas. range: The object temperature is out of measuring range.
- Not stable: The internal temperature probes have detected an unequally internal temperature of the CS.
- Alarm fault: Current through the switching transistor of the open-collector output is too high.

### 5.3 Temperature Code Indication

With this function the current measured object temperature will be indicated as percentage value by long and short flashing of the LED.

At a range setting of 0 - 100 °C → 0 - 100 % the LED flashing indicates the temperature in °C.

Long flashing → first digit:	<b>xx</b>
Short flashing → second digit:	<b>xx</b>
10-times long flashing → first digit = 0:	<b>0x</b>
10-times short flashing → second digit = 0:	<b>x0</b>

#### Examples:

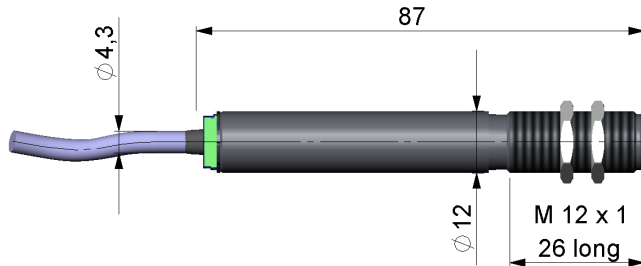
87 °C	8-times long flashing indicates	<b>87</b>
and afterwards	7-times short flashing indicates	<b>87</b>
31 °C	3-times long flashing indicates	<b>31</b>
and afterwards	1-times short flashing indicates	<b>31</b>
8 °C	10-times long flashing indicates	<b>08</b>
and afterwards	8-times short flashing indicates	<b>08</b>
20 °C	2-times long flashing indicates	<b>20</b>
and afterwards	10-times short flashing indicates	<b>20</b>



## 6. Installation

### 6.1 Mechanical Installation

The CS is equipped with a metric M12x1 thread and can be installed either directly via the sensor thread or with the help of the both hex nuts (standard) to the mounting bracket available.

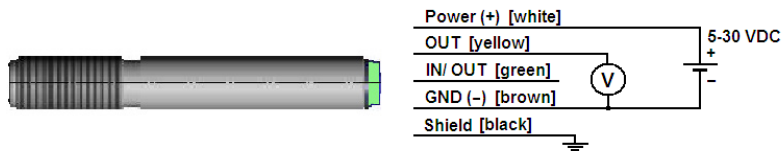


For an exact aiming of the sensor to an object the LED function Automatic Aiming Support, [see 5.1](#), can be used.

## 6.2 Electrical Installation

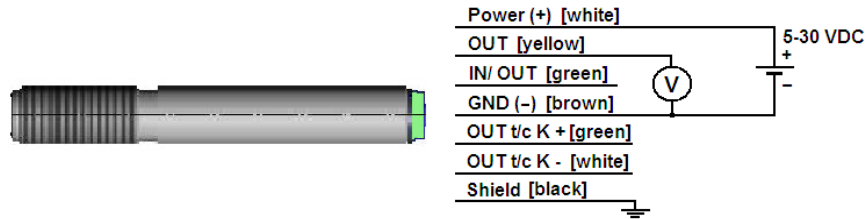
- i** Use a separate, stabilized power supply unit with an output voltage in the range of 5 - 30 VDC which can supply 100 mA. The residual ripple should be max 200 mV.  
Supply the CS either via USB or externally via power supply and not simultaneously!
- i**
  - Use shielded cables only. The sensor shield has to be grounded.
  - The shield (black) on the CS is not connected to GND (brown).  
In any case it is necessary to connect the shield to ground or GND (whichever works best)!
  - When using the thermocouple and the external power supply, there must be a connection between ground and shield.

### 6.2.1 Analog Device (mV Output on OUT Pin)



The output impedance must be  $\geq 10 \text{ k}\Omega$ .

### 6.2.2 Analog Device (Thermocouple Type K Output on OUT t/c K Pins / only at Model CSTK-SF15)



The output impedance must be  $\geq 20 \text{ k}\Omega$ .

On the model CSTK-SF15 you can choose between a mV output (0 - 5 or 0 - 10 V; scalable via software) and a thermocouple output type K.

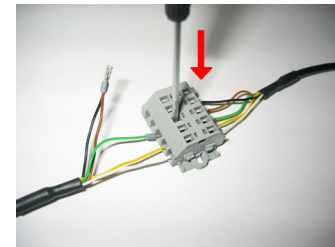
The factory default setting is 0 - 3.5 V (according to 0 - 350 °C); the thermocouple output is inactive, [see A 2](#).

To activate the thermocouple output the USB adapter cable and the software is needed. This output supplies a voltage according to the characteristic curve type K.

If you want to extend this output you have to use a suitable thermocouple extension cable (NiCr-Ni).

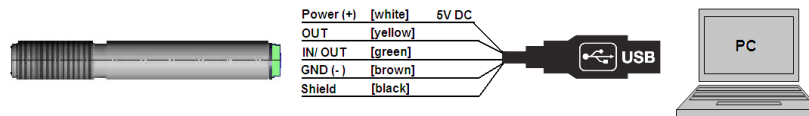
### 6.2.3 Digital Communication

For a digital communication the optional USB programming kit is required. Please connect each wire of the USB adapter cable with the same colored wire of the sensor cable by using the terminal block. Press with a screw driver as shown in the picture to loose a contact.



The sensor is offering two ways of digital communication:

- bidirectional communication (sending and receiving data)
- unidirectional communication (burst mode - the sensor is sending data only)



### 6.2.4 Open Collector Output

**i** In case of long lines there is a drop voltage at the ground wire and the mV-output is distorted. Because of that the brown wire can be used as ground supply and the t/c- wire (type K) as measuring ground.



The open collector output is an additional alarm output on the CS and can control an external relay e.g. In addition the analog output can be used simultaneously.

### 6.2.5 Direct Connection to an RS232 Interface on the Computer

The CS works with a UART voltage of 3.3 V. For a bidirectional RS232 connection of the sensor the following interface circuits can be used: MAX3381E (manufacturer: Maxim), [see A 5](#).

## 7. Instructions for Operation

### 7.1 Cleaning

Lens cleaning: Blow off loose particles using clean compressed air. The lens surface can be cleaned with a soft, humid tissue moistened with water or a lens cleaner (e.g. Purosol or B+W Lens Cleaner).

Never use cleaning compounds which contain solvents (neither for the lens nor for the housing).

> Destruction of the sensor and/or the controller

**NOTICE**

## 8. Schematic Circuit Diagrams for Maintenance Applications

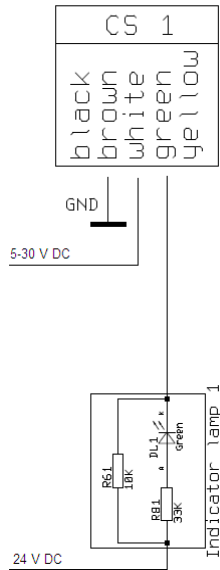


Fig. 3 Open collector output for direct 24 VDC signal lamp control

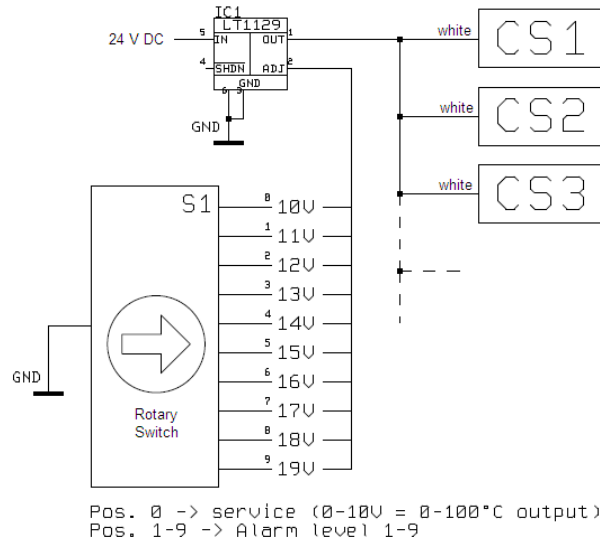


Fig. 4 Common power supply voltage change to adjust simultaneously alarm levels and emissivity values [Vcc adjust mode]

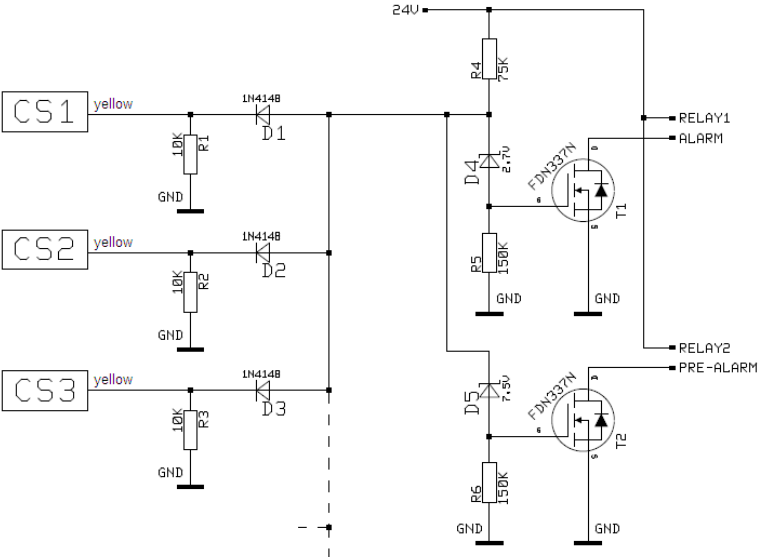


Fig. 5 Simple common alarm and pre-alarm generation

## 9. CompactConnect Software

### 9.1 Installation

You can find the CompactConnect software online on our website at:

<https://www.micro-epsilon.de/download/software/thermoMETER-CompactConnect/>

- Download the software, unzip it, open the program and start the CD-setup.exe.
- Please follow the instructions in the wizard until the installation has been completed.

After installation, the CompactConnect software is available on your desktop (as program icon) and the start menu under [Start]\Programs\CompactConnect.

### 9.2 Uninstallation

If you want to uninstall the software, please use the Uninstall function in the Windows settings or in the start menu.

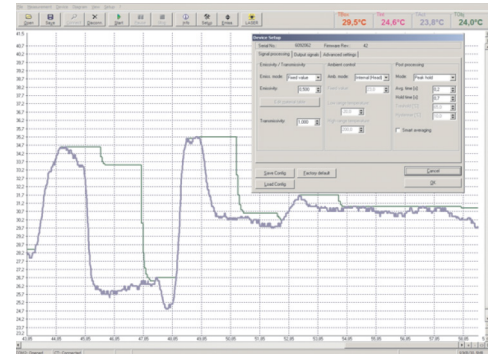
### 9.3 Minimum System Requirements

- Windows 7, Windows 10
- USB interface
- Hard disc with at least 30 MByte free space
- At least 128 MByte RAM



## 9.4 Main Features

- Graphic display for temperature trends and automatic data logging for analysis and documentation
- Complete sensor setup and remote controlling
- Adjustment of signal processing functions
- Programming of outputs and functional inputs



## 9.5 Communication Settings

For further information, see protocol and command description on the software CD CompactConnect in the directory: \Commands.

### Serial Interface

Baud rate: 9.6 / 115.2 kBaud (adjustable via software)  
 Data bits: 8  
 Parity: none  
 Stop bits: 1  
 Flow control: off

### Protocol

All sensors of the CS series are using a binary protocol. To get a fast communication the protocol has no additional overhead with CR, LR or ACK bytes.

To power the sensor the control signal `DTR` has to be set.

**i** The digital communication mode must be set previously via CompactConnect, otherwise the sensor will switch automatically to analog mode.

## 10. Digital Command Set

Command list CS/ CSmicro/ CX							
Decimal	HEX	Binary / ASCII	Command	Data	Reply	Result	Unit
1	0x01	Binary	READ Temp - Target	no	byte 1 byte 2	$= (\text{byte1} \times 256 + \text{byte2} - 1000) / 10$	°C
2	0x02	Binary	READ Temp - Head	no	byte 1 byte 2	$= (\text{byte1} \times 256 + \text{byte2} - 1000) / 10$	°C
3	0x03	Binary	READ current Temp - Target	no	byte 1 byte 2	$= (\text{byte1} \times 256 + \text{byte2} - 1000) / 10$	°C
4	0x04	Binary	READ Emissivity	no	byte 1 byte 2	$= (\text{byte1} \times 256 + \text{byte2}) / 1000$	
5	0x05	Binary	READ Transmission	no	byte 1 byte 2	$= (\text{byte1} \times 256 + \text{byte2}) / 1000$	
9	0x09	Binary	READ Processor Temperature	no	byte 1	$= (\text{byte1} \times 256 + \text{byte2} - 1000) / 10$	
14	0x0E	Binary	READ Serial number	no	byte 1 byte 2 byte 3	$= \text{byte1} \times 65536 + \text{byte2} \times 256 + \text{byte3}$	
15	0x0F	Binary	READ FW Rev.	no	byte 1 byte 2	$= \text{byte1} \times 256 + \text{byte2}$	
129	0x081	Binary	SET DAC mV/ mA	byte 1	byte 1	byte1 = mV (mA) x 10 (e.g. 4 mA = 4 x 10 = 40)	°C
130	0x082	Binary	RESET of DAC mV/ mA output				
132	0x084	Binary	SET Emissivity	byte 1 byte 2	byte 1 byte 2	$= (\text{byte1} \times 256 + \text{byte2}) / 1000$	

Burstmode (unidirectional)			
After switch on a continuous serial signal will be created. The burst string can be configured with CompactConnect software.			
Burst string	Example	Complete Burst string	Conversion to decimal value
2 synchronisation bytes: AAAA	-----		-----
2 bytes for each output value (hi lo)	03B8	AAAA 03B8	Process temp. [°C] = (HEX → Dec(03B8)-1000)/10 = -4.8

Temperature calculation at CSmicro hs:  $(\text{byte1} \times 256 + \text{byte2} - 10000) / 100$

**Examples (all bytes in HEX)**

**Readout of object temperature**

Send	01	Command for readout of object temperature	
Receive	04 D3	Object temperature in tenth degree + 1000	04 D3 = dec. 1235 1235 - 1000 = 235 235 / 10 = <b>23.5 °C</b>

**Readout of object temperature (at CSmicro 2Whs)**

Send	01	Command for readout of object temperature	
Receive	30 3E	Object temperature in hundredth degree + 10000	30 3E = dec. 12350 12350 - 10000 = 2350 2350 / 100 = <b>23.50 °C</b>

**Set of emissivity**

Send	84 03 B6		03B6 = dec. 950
Receive	03 B6		950 / 1000 = <b>0.950</b>

## 11. Basics of Infrared Thermometry

Depending on the temperature each object emits a certain amount of infrared radiation. A change in the temperature of the object is accompanied by a change in the intensity of the radiation. For the measurement of „thermal radiation“ infrared thermometry uses a wave-length ranging between  $1 \mu$  and  $20 \mu\text{m}$ . The intensity of the emitted radiation depends on the material. This material contingent constant is described with the help of the emissivity which is a known value for most materials, [see 12](#).

Infrared thermometers are optoelectronic sensors. They calculate the surface temperature on the basis of the emitted infrared radiation from an object. The most important feature of infrared thermometers is that they enable the user to measure objects contactless. Consequently, these products help to measure the temperature of inaccessible or moving objects without difficulties. Infrared thermometers basically consist of the following components:

- Lens
- Spectral filter
- Detector
- Electronics (amplifier/ linearization/ signal processing)

The specifications of the lens decisively determine the optical path of the infrared thermometer, which is characterized by the ratio Distance to Spot size.

The spectral filter selects the wavelength range, which is relevant for the temperature measurement. The detector in cooperation with the processing electronics transforms the emitted infrared radiation into electrical signals.

## 12. Emissivity

### 12.1 Definition

The intensity of infrared radiation, which is emitted by each body, depends on the temperature as well as on the radiation features of the surface material of the measuring object. The emissivity ( $\epsilon$  - Epsilon) is used as a material constant factor to describe the ability of the body to emit infrared energy. It can range between 0 and 100 %. A “blackbody“ is the ideal radiation source with an emissivity of 1.0 whereas a mirror shows an emissivity of 0.1.

If the emissivity chosen is too high, the infrared thermometer may display a temperature value which is much lower than the real temperature - assuming the measuring object is warmer than its surroundings. A low emissivity (reflective surfaces) carries the risk of inaccurate measuring results by interfering infrared radiation emitted by background objects (flames, heating systems, chamottes). To minimize measuring errors in such cases, the handling should be performed very carefully and the unit should be protected against reflecting radiation sources.

### 12.2 Determination of Unknown Emissivities

- First, determine the actual temperature of the measuring object with a thermocouple or contact sensor. Second, measure the temperature with the infrared thermometer and modify the emissivity until the displayed result corresponds to the actual temperature.
- If you monitor temperatures of up to 380 °C you may place a special plastic sticker (emissivity dots - part number: TM-ED-LS) onto the measuring object, which covers it completely. Now set the emissivity to 0.95 and take the temperature of the sticker. Afterwards, determine the temperature of the adjacent area on the measuring object and adjust the emissivity according to the value of the temperature of the sticker.
- Cover a part of the surface of the measuring object with a black, flat paint with an emissivity of 0.98. Adjust the emissivity of your infrared thermometer to 0.98 and take the temperature of the colored surface. Afterwards, determine the temperature of a directly adjacent area and modify the emissivity until the measured value corresponds to the temperature of the colored surface.

### 12.3 Characteristic Emissivities

In case none of the methods mentioned above help to determine the emissivity you may use the emissivity tables, [see A 3](#), [see A 4](#). These are average values, only. The actual emissivity of material depends on the following factors:

- Temperature
- Measuring angle
- Geometry of the surface
- Thickness of the material
- Constitution of the surface (polished, oxidized, rough, sandblast)
- Spectral range of the measurement
- Transmissivity (e.g. with thin films)

### 13. Liability for Material Defects

All components of the device have been checked and tested for functionality at the factory. However, if defects occur despite our careful quality control, MICRO-EPSILON or your dealer must be notified immediately. The liability for material defects is 12 months from delivery.

Within this period, defective parts, except for wearing parts, will be repaired or replaced free of charge, if the device is returned to MICRO-EPSILON with shipping costs prepaid. Any damage that is caused by improper handling, the use of force or by repairs or modifications by third parties is not covered by the liability for material defects. Repairs are carried out exclusively by MICRO-EPSILON.

Further claims can not be made. Claims arising from the purchase contract remain unaffected. In particular, MICRO-EPSILON shall not be liable for any consequential, special, indirect or incidental damage. In the interest of further development, MICRO-EPSILON reserves the right to make design changes without notification.

For translations into other languages, the German version shall prevail.

## 14. Service, Repair

If the sensor, controller or the sensor cable is defective please send us the affected parts for repair or exchange.

In the case of faults the cause of which is not clearly identifiable, the entire measuring system must be sent back to:

For customers in USA applies:

Send the affected parts or the entire measuring system back to:

For customers in Canada or South America applies:

Please contact your local distributor.

## 15. Decommissioning, Disposal

➡ Remove the sensor cables.

Incorrect disposal may cause harm to the environment.

➡ Dispose of the device, its components and accessories, as well as the packaging materials in compliance with the applicable country-specific waste treatment and disposal regulations of the region of use.

MICRO-EPSILON MESSTECHNIK  
GmbH & Co. KG  
Koenigbacher Str. 15  
94496 Ortenburg / Germany  
Tel. +49 (0) 8542/ 168-0  
Fax +49 (0) 8542 / 168-90  
info@micro-epsilon.com  
www.micro-epsilon.com

MICRO-EPSILON USA  
8120 Brownleigh Dr.  
Raleigh, NC 27617 /USA  
Tel. +1 919 / 787-9707  
Fax +1 919 / 787-9706  
me-usa@micro-epsilon.com  
www.micro-epsilon.com

## Appendix

### A 1 Optional Accessories

#### A 1.1 Mounting Accessories

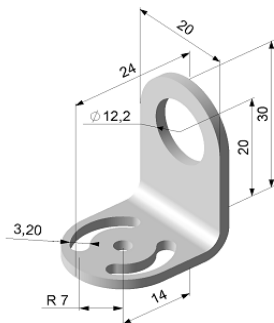


Fig. 6 Mounting bracket, adjustable in one axis [TM-FB-CS]

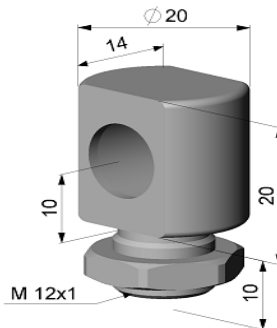


Fig. 7 Mounting bolt with M12x1 thread, adjustable in one axis [TM-MB-CS]

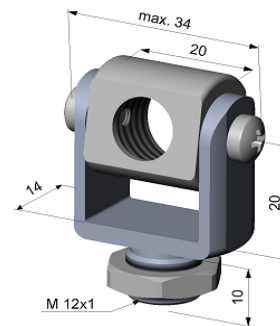


Fig. 8 Mounting fork with M12x1 thread, adjustable in two axes [TM-MG-CS]

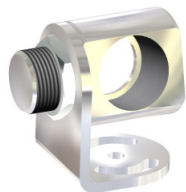


Fig. 9 Mounting bracket, adjustable in two axis [TM-AB-CS]

**i** The Mounting fork can be combined with the mounting bracket [TM-FB-CS] using the M12x1 thread.



## A 1.2 Close Focus Optics

The optional CF-lens allows the measurement of small objects. The CF optics can also be combined with a laminar air purge:

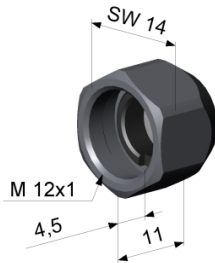


Fig. 10 CF-lens [TM-CF-CS]

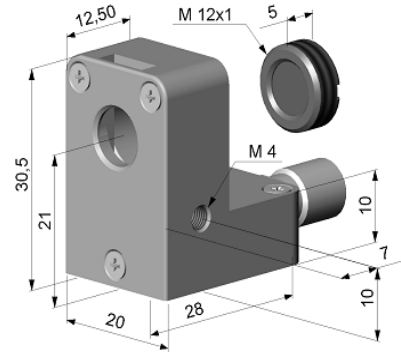
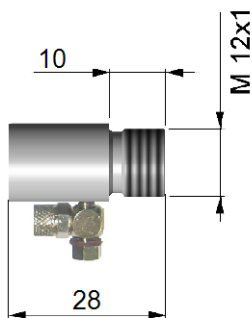


Fig. 11 Laminar air purge with integrated CF-lens [TM-APLCF-CS]

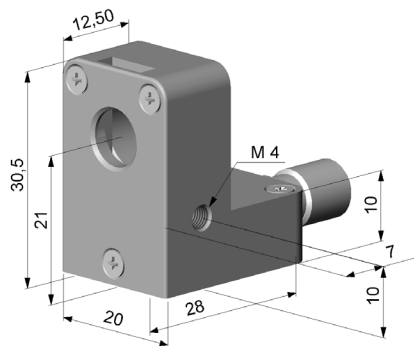
- **i** If the CF-lens is used, the transmission has to be set to 0.78. To change this value the optional USB-Kit (including software) is necessary. The assigned transmission (average value) is a characteristic value which may have a certain scattering. If required the transmission has to be determined.

### A 1.3 Air Purge Collars

The lens must be kept clean at all times from dust, smoke, fumes and other contaminants in order to avoid reading errors. These effects can be reduced by using an air purge collar.



*Fig. 12 Standard air purge collar; fits to the mounting bracket; hose connection: 3x5 mm [TM-AP-CS]*



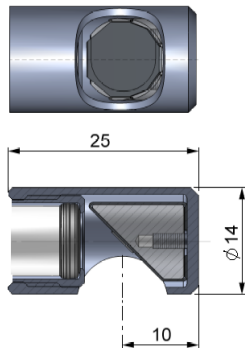
*Fig. 13 Laminar air purge collar - the side air outlet prevents a cooling down of the object in short distances; hose connection: 3x5 mm [TM-APL-CS]*



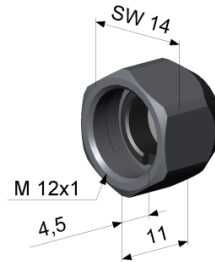
A combination of the Laminar air purge collar with the bottom section of the Mounting fork allows an adjustment in two axes. [TM-APL-CS + TM-MG-CS]

- i**
- Make sure to use oil-free, technically clean air, only!
  - The needed amount of air (ca. 2 ... 10 l/ min.) depends on the application and the installation conditions on-site.

## A 1.4 Further Accessories



*Fig. 14 Right angle mirror, enables measurement with 90 °angle [TM-RAM-CS]*



*Fig. 15 Protective window, same mechanical size as CF lens [TM-PW-CS]*



*Fig. 16 USB-Kit: USB adapter cable inclusive terminal block and software CD [TM-USBK-CS]*

**i** If the protective window is used, the transmission has to be set to 0.83. To change this value the optional USB-Kit (including CompactConnect software) is necessary.

All accessories can be ordered using the according part numbers in brackets [ ].

## A 2 Factory Settings

The unit has the following presetting at time of delivery:

Emissivity	0.950
Transmission	1.000
Average time	0.3 s
Smart averaging	Active
Smart averaging hysteresis	2 °C
Ambient temperature source	Internal (sensor)
Status-LED function	Self diagnostic
Input (IN/ OUT/ green)	Inactive
Output (OUT/ yellow)	mV output
Temperature range	0 ... +350 °C
Output voltage	0 ... 3.5 V
Vcc adjust	Inactive
Signal processing	Hold mode: off
Calibration	Gain 1.000/ Offset 0.0
Failsafe	Inactive

- **i** The default settings can be changed with the optional USB kit (USB adapter cable + software). Smart Averaging means a dynamic average adaptation at high signal edges. (Activation via software only; Smart Averaging), [see A 6](#).

For a usage of the CS for online maintenance applications (in electrical cabinets e.g.) the following recommend settings are already included in the factory default setting (but not active):

OUT	At <b>3-state output</b> the following settings are default:	
	Pre-alarm difference	2 °C
	No alarm level	8 V
	Pre-alarm level	5 V
	Alarm level	0 V
	Service voltage	10 V
IN/ OUT	At <b>Alarm output (open collector)</b> the following settings are default:	
	Mode	normally closed
	Temp code output	activated (for values above alarm level)
	Range settings	0 °C = 0 %/ 100 °C = 100 %
Vcc Adjust	If <b>activated</b> the following settings are default:	
	Output voltage range	0 - 10 V
	Difference mode	activated

Alarm level	Alarm value (IN/ OUT pin)	Vcc
1	40 °C	11 V
2	45 °C	12 V
3	50 °C	13 V
4	55 °C	14 V
5	60 °C	15 V
6	65 °C	16 V
7	70 °C	17 V
8	75 °C	18 V
9	80 °C	19 V
10	85 °C	20 V

**A 3 Emissivity Table Metals**

<b>Material</b>		<b>Typical Emissivity</b>
Aluminium	non oxidized	0.02 - 0.1
	polished	0.02 - 0.1
	roughened	0.1 - 0.3
	oxidized	0.2 - 0.4
Brass	polished	0.01 - 0.05
	roughened	0.3
	oxidized	0.5
Copper	polished	0.03
	roughened	0.05 - 0.1
	oxidized	0.4 - 0.8
Chrome		0.02 - 0.2
Gold		0.01 - 0.1
Haynes	alloy	0.3 - 0.8
Inconel	electro polished	0.15
	sandblast	0.3 - 0.6
	oxidized	0.7 - 0.95
Iron	non oxidized	0.05 - 0.2
	rusted	0.5 - 0.7
	oxidized	0.5 - 0.9
	forged, blunt	0.9
Iron, casted	non oxidized	0.2
	oxidized	0.6 - 0.95

<b>Material</b>		<b>Typical Emissivity</b>
Lead	polished	0.05 - 0.1
	roughened	0.4
	oxidized	0.2 - 0.6
Magnesium		0.02 - 0.1
Mercury		0.05 - 0.15
Molybdenum	non oxidized	0.1
	oxidized	0.2 - 0.6
Monel (Ni-Cu)		0.1 - 0.14
Nickel	electrolytic	0.05 - 0.15
	oxidized	0.2 - 0.5
Platinum	black	0.9
Silver		0.02
Steel	polished plate	0.1
	rustless	0.1 - 0.8
	heavy plate	0.4 - 0.6
	cold-rolled	0.7 - 0.9
	oxidized	0.7 - 0.9
Tin	non oxidized	0.05
Titanium	polished	0.05 - 0.2
	oxidized	0.05 - 0.6
Wolfram	polished	0.03 - 0.1
Zinc	polished	0.02
	oxidized	0.1

## A 4 Emissivity Table Non Metals

Material		Typical Emissivity
Asbestos		0.95
Asphalt		0.95
Basalt		0.7
Carbon	non oxidized	0.8 - 0.9
	graphite	0.7 - 0.8
Carborundum		0.9
Ceramic		0.95
Concrete		0.95
Glass		0.85
Grit		0.95
Gypsum		0.8 - 0.95
Ice		0.98
Limestone		0.98
Paint	non alkaline	0.9 - 0.95
Paper	any color	0.95
Plastic > 50 $\mu\text{m}$	non transparent	0.95
Rubber		0.95
Sand		0.9
Snow		0.9
Soil		0.9 - 0.98
Textiles		0.95
Water		0.93
Wood	natural	0.9 - 0.95

## A 5 Direct Connection to an RS232 Interface on the PC

For a bidirectional RS232 connection of the sensor we recommend the interface circuit from Maxim, e.g. MAX3381E.

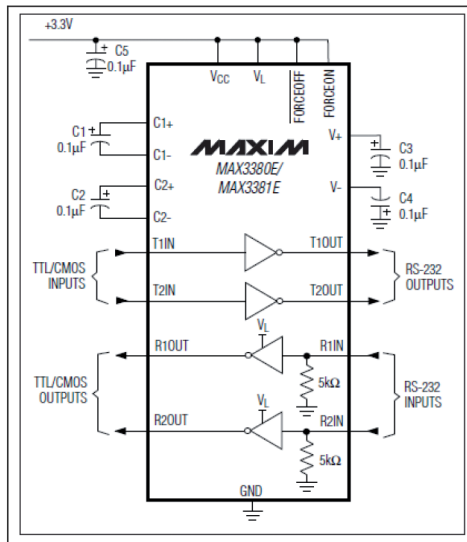


Fig. 17 Interface circuit MAX3381E

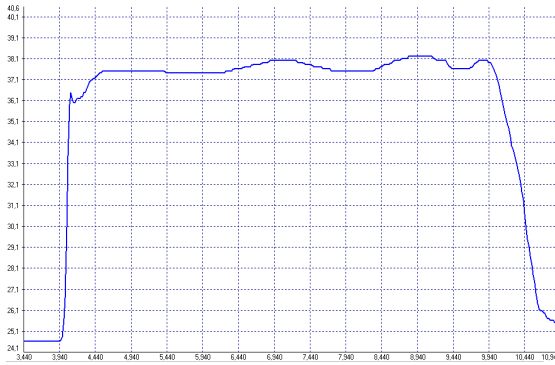
Model	CSv1	CSv2	CSv3
UART voltage (RxD)	5 V	3.3 V	3.3 V
UART voltage (TxD)	5 V	3.3 V	3.3 V



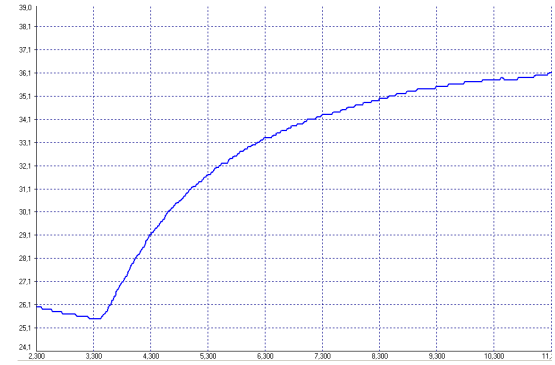
<b>Previous sensor versions</b>	
CSv1	CS/ version 1 (12/2010)
<b>CS connections</b>	TxD (yellow) on T1IN
	RxD (green) on R1OUT
	GND (brown) on GND
<b>PC connections</b>	Connect T1OUT with RxD (PC)
	Connect R1IN with TxD (PC)

## A 6 Smart Averaging

The average function is generally used to smoothen the output signal. With the adjustable parameter time this function can be optimal adjusted to the respective application. One disadvantage of the average function is that fast temperature peaks which are caused by dynamic events are subjected to the same averaging time. Therefore those peaks can only be seen with a delay on the signal output. The function Smart Averaging eliminates this disadvantage by passing those fast events without averaging directly through to the signal output.



*Fig. 18 Signal graph with Smart Averaging function*



*Fig. 19 Signal graph without Smart Averaging function*





MICRO-EPSILON MESSTECHNIK GmbH & Co. KG  
Koenigbacher Str. 15 · 94496 Ortenburg / Germany  
Tel. +49 (0) 8542 / 168-0 · Fax +49 (0) 8542 / 168-90  
info@micro-epsilon.com · www.micro-epsilon.com  
Your local contact: [www.micro-epsilon.com/contact/worldwide/](http://www.micro-epsilon.com/contact/worldwide/)

X9751203-B072031HDR  
© MICRO-EPSILON MESSTECHNIK