



# More Precision

capa**NCDT** 6222 // Modular multi-channel measurement system





- Modular, expandable to 4 channels
- Ethernet interface
- Easy configuration using the web browser
- Bandwidth: 20kHz (-3dB)
- Resolution up to 0.004% FSO
- Digital data rate: max. 3.906kSa/s
- Trigger feature

**System structure**

The capaNCDT 6222 is a modular controller for capacitive displacement sensors. Providing a bandwidth of 20kHz, the measurement system is used for monitoring fast processes.

Its modular design enables an easy combination of up to 4 channels. The measurement system includes a control unit and a demodulator for each sensor. Its Ethernet interface integrated in the controller supports fast and easy configuration via web browser. The compact controller can be used as benchtop unit, it can be mounted to the wall or on a tophat rail using an adapter. The capaNCDT 6222 is compatible with all Micro-Epsilon sensors.

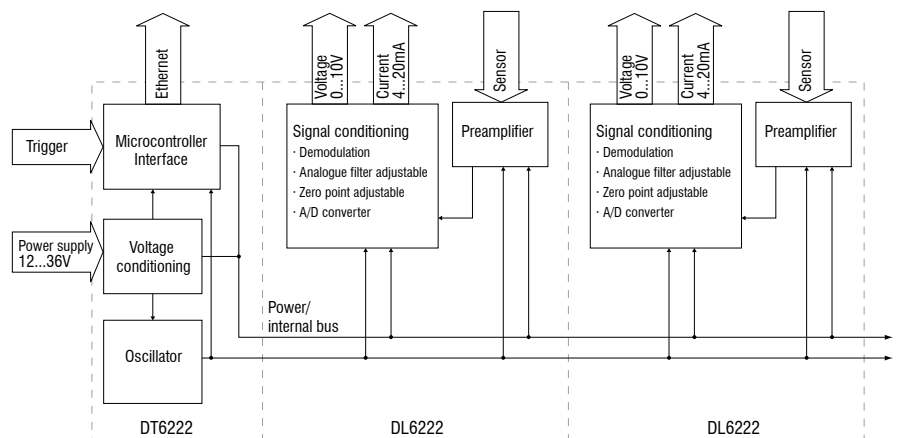
**A measurement system consists of:**

- control unit DT6222
- one demodulator module DL6222 with integrated preamplifier per sensor
- sensor
- sensor cable
- power supply cable
- Ethernet cable
- signal output cable

**Accessories:**

- signal output cable
- power supply cable
- DIN rail brackets
- mounting plates for wall mounting

**Block diagram**

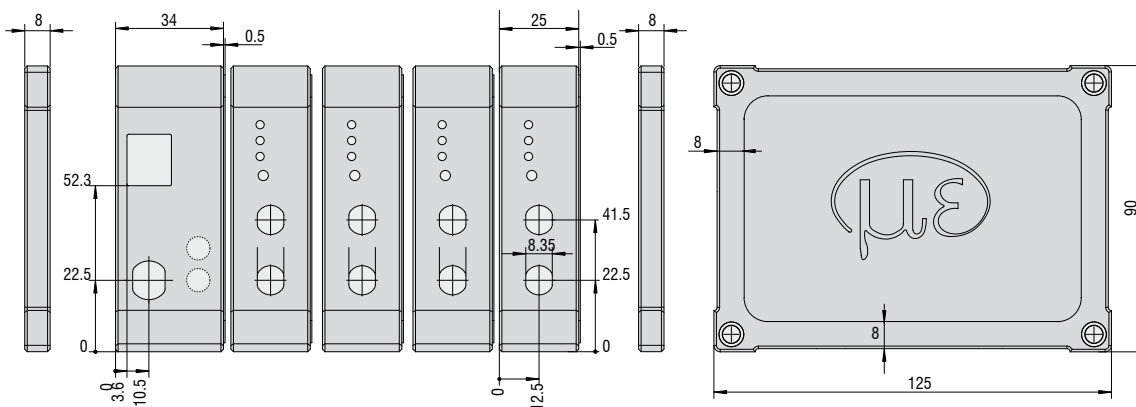




Controller type DT6222		Demodulator DL6222	Demodulator DL6222/ECL2
Resolution static		0.004% FSO	0.004% FSO
Resolution dynamic		0.05% FSO (20kHz)	0.1% FSO (20kHz)
Bandwidth		20kHz (-3dB)	20kHz (-3dB)
Bandwidth adjustable		20kHz, 20Hz	20kHz, 20Hz
Data rate digital output		max. 3.906kSa/s	max. 3.906kSa/s
Linearity (typ.)		$\leq \pm 0.1\%$ FSO	$\leq \pm 0.2\%$ FSO
Sensitivity deviation		$\leq \pm 0.1\%$ FSO	$\leq \pm 0.1\%$ FSO
Long term stability		$\leq 0.02\%$ FSO/month	$\leq 0.02\%$ FSO/month
Synchronous operation (multiple controllers)		no	no
Insulator measurement		no	no
Temperature stability		200ppm	200ppm
Temperature range (operation)	Sensor	-20 ... +200°C	-20 ... +200°C
	Controller	+10 ... +60°C	+10 ... +60°C
Temperature range (storage)		-10 ... +75°C	-10 ... +75°C
Supply		24VDC (12...36VDC)	24VDC (12...36VDC)
Power consumption	DT6222	2.8W (typ.)	2.8W (typ.)
	per DL6222	1.2W (typ.); 1.4W (max.)	1.2W (typ.); 1.4W (max.)
Analogue output		0 ... 10V (short circuit proof)	0 ... 10V (short circuit proof)
		4...20mA (load max. 500Ω)	4...20mA (load max. 500Ω)
Digital interface		Ethernet	Ethernet
Sensors		all sensors	all sensors
Sensor cable standard		CCm1.4x; CCg2.0x	CCm2.8x; CCg4.0x
Sensor cable (matched)		$\leq 2.8\text{m}$ (with CCmx) $\leq 4.0\text{m}$ (with CCgxx)	$\leq 2.8\text{m}$ (with CCmx) $\leq 4.0\text{m}$ (with CCgxx)
Trigger		TTL, 5V	TTL, 5V
Number of channels		max. 4	max. 4

FSO = Full Scale Output

Controller Demodulator  
DT6222 DL6222 DL6222 DL6222



## Options

Article number	Description	Explanation	Suitable for articles		
			2303035 DL6222	2303036 DL6222/ECL2	2303038 DL6222/LC
2982045	LC DL62x0 analogue	special calibration of linearity on analogue output	○	○	●
2982059	ECL2 DL6222	special tuning for double standard cable length	-	●	●
2982061	EMR2 DL6222	extended measuring range (factor: 2)	○	○	●
2982062	RMR1/2 DL6222	reduced measuring range (factor: 1/2)	○	○	●

- Articles already contain the option
- Option available
- No option available